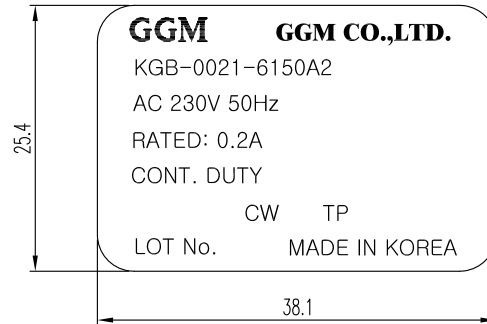


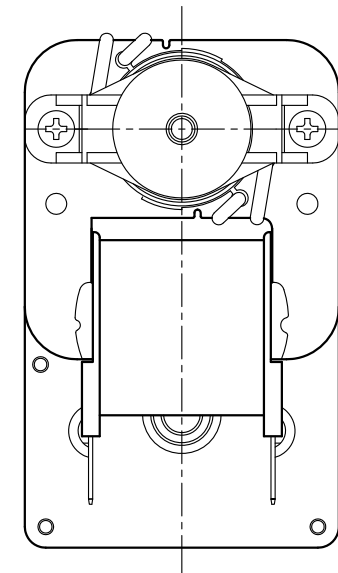
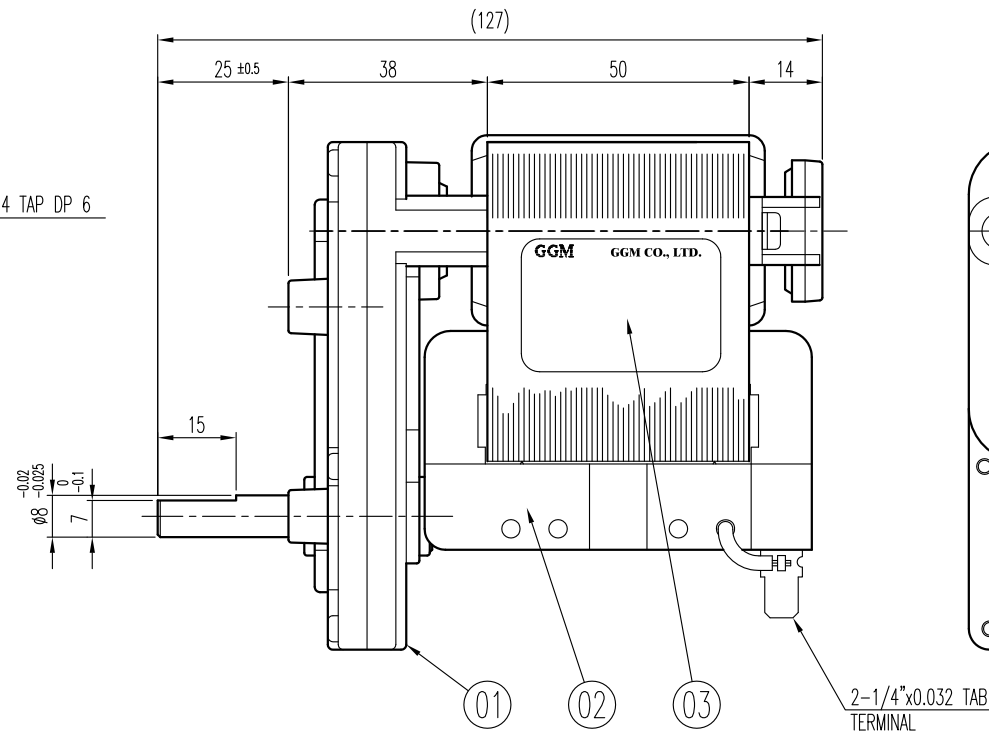
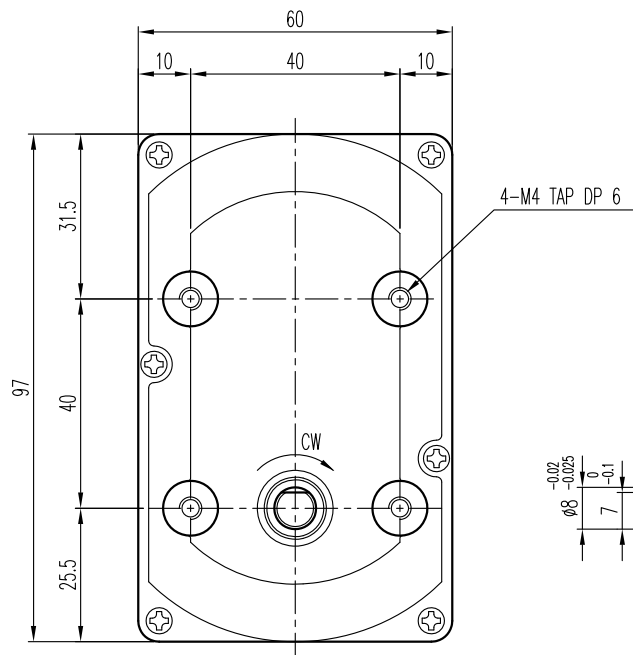
NAME PLATE



REV	DESCRIPTION	REV No.	DATE	SIGN
△				
△				
△				
△				

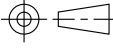
  

04	03	02	01	No.	N A M E	DRAWING No.	MATERIAL & SPEC.
				1	01 GEARBOX ASS'Y	KGB-0021-1003	KGB-0021-SSF-06
				1	02 SHADED POLE MOTOR	1-SA-00000	KAC-6150-TWA-SA
				1	03 NAME PLATE	1-23-00015	SLVER TETORON (25.4x38.1)



\* POWERTRNIC \*

MODEL	VOLTAGE	SPEED (NO LOAD)	TORQUE (kg.cm)		THERMAL PROTECTOR
			START	STALL	
KGB-0021-6150A2	AC 230V 50Hz	138 rpm (±10%)	3.2	4	T/P 105 ±5°C (CLASS A)

DRAW			SCALE : 1/1	PART NAME	SHADED POLE G/MOTOR
DESIGNED	2009-02-20	KANG YK	UNIT : mm	APPLICATION MODEL	KGB-0021-SSF-6150A2
CHECKED				DWG NO.	1-OL-00463
APPROVED				RELATION DWG	

**G G M**  
GUGJE GEARED MOTOR