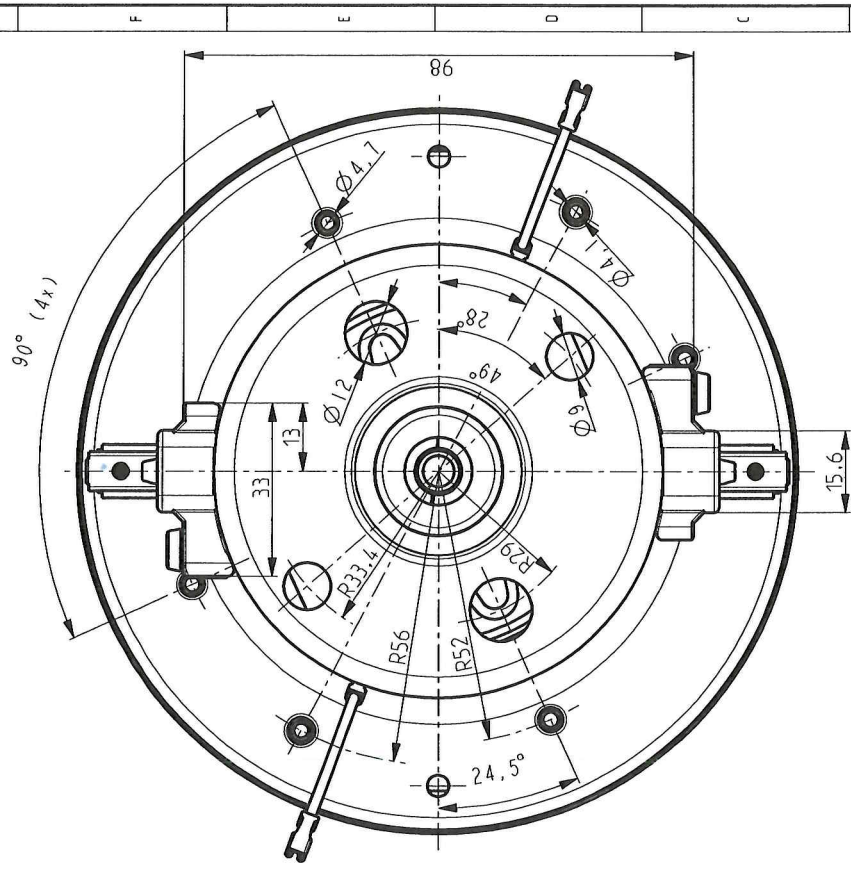
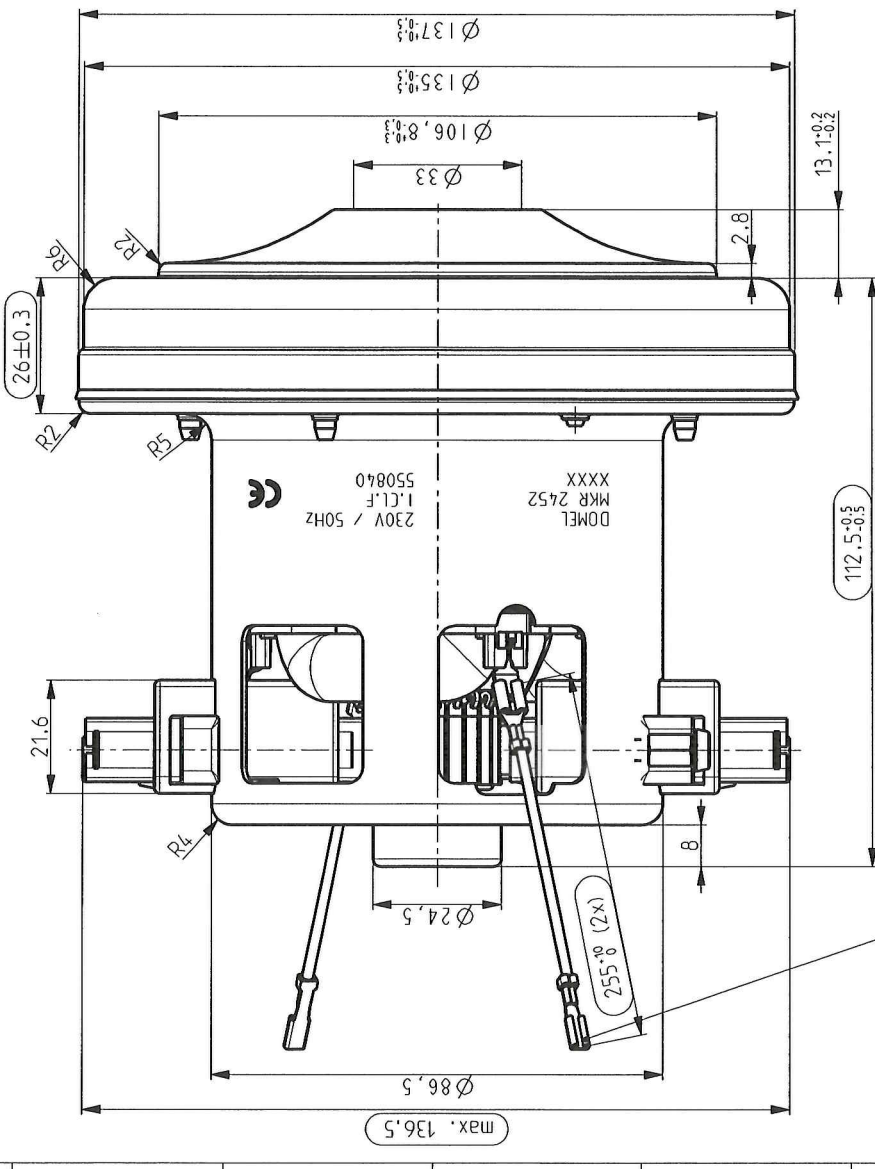


NAPETOST	230 V
VOLTAGE	
FREKVENCA	50 Hz
FREQUENCY	
NAZIVNA MOČ	1300 W
NOMINAL POWER	



Ploščati natič  
Receptacle Steckhueelse  
2.8x0.5 DIN 46247

Tolerance Toleranca		Površinska finiširanje		Merilo Scale		Original format ISO 5457 - A3	
paper / in papir / brez individual indicators		finishing		1:1		Gradivo / Material	
ISO 2768 - m							
Datum/Date		Ime/Name		Naziv Title		SESALNA ENOTA VACUUM CLEANER UNIT	
zdelat Designed		V. Stalec					
Prešli Verified		A. Močnik					
11.12.08 Novinc M.		11.12.08					
05.02.03 Potrocnik I.		11.12.08					
02.10.01 V. Stalec		11.12.08					
11.05.01 V. Stalec		11.12.08					
20.07.00 V. Stalec		11.12.08					
10.07.00 V. Stalec		11.12.08					
Uzn. št. obvestila Mpnk. No. of notice		Ime Name		Koda Code		List Sheet	
		DOMEL		462.3.452		3+	
Oblik. št. 4228 Zeterniki, Slovenija						Stran Page	
						1	
						4623452000_MKR2452	

OSNOVNE ZNAČILNOSTI	TYPICAL CHARACTERISTICS
IZVEDBA	FAN SYSTEM
ENOSTOPENJSKA	SINGLE STAGE
VLEŽAJENJE	BEARINGS
DVA KROGLIČNA LEZAJA	DUAL BALL
VRSTA PRETOKA	DISCHARGE
SKOZI MOTOR	THRU FLOW
SMER VRTENJA	DIRECTION OF ROTATION
DESNA	CW

Izdano s CAD/ProEngineer - črtno spreminjanje ni dovoljeno! Vsa prenosna imena in dovoljena po zakonu o avtorskih pravicah. Made with CAD/ProEngineer - changing is not allowed! Any unauthorized copying of this drawing or unauthorized distribution of the information contained herein is prohibited.