

Datasheet

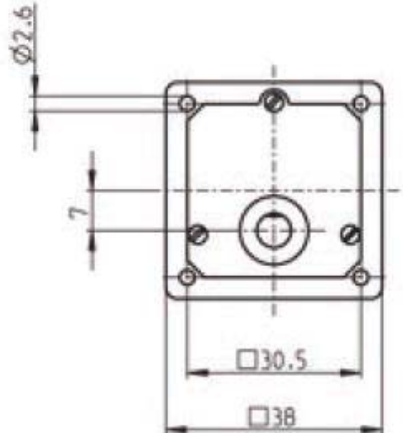
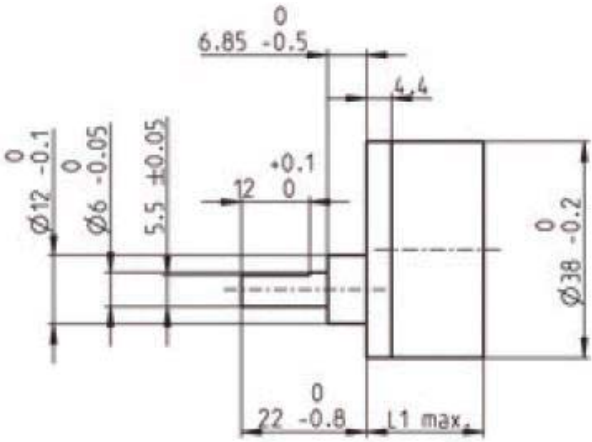
# RS Pro DC Geared Motor



RS Number	Replaces	Voltage	Speed	Max Torque	Dimensions in mm
9013288	255-9582	12v	260rpm	70mNm	71.20x38x38
9013282	255-9598	12v	155rpm	100mNm	71.20x38x38
9013291	255-9605	12v	80rpm	200mNm	73.70x38x38
9013294	255-9611	12v	47rpm	300mNm	73.70x38x38
9013298	255-9627	12v	23rpm	600mNm	107.60x38x38
9013308	255-9649	12v	9rpm	600mNm	110.10x38x38
9013301	255-9655	12v	5rpm	600mNm	110.10x38x38
9013305	440-313	24v	260rpm	70mNm	71.20x38x38
9013314	440-329	24v	155rpm	100mNm	71.20x38x38
9013317	440-335	24v	80rpm	200mNm	73.70x38x38
9013311	440-341	24v	47rpm	300mNm	73.70x38x38
9013320	440-357	24v	23rpm	600mNm	107.60x38x38
9013323	440-363	24v	9rpm	600mNm	110.10x38x38
9013327	440-379	24v	5rpm	600mNm	110.10x38x38

# Specifications

Core Construction	Iron Core
Depth	38mm
Geared Type	Spur
Shaft Diameter	6mm



6mm shaft diameter

M 1:2