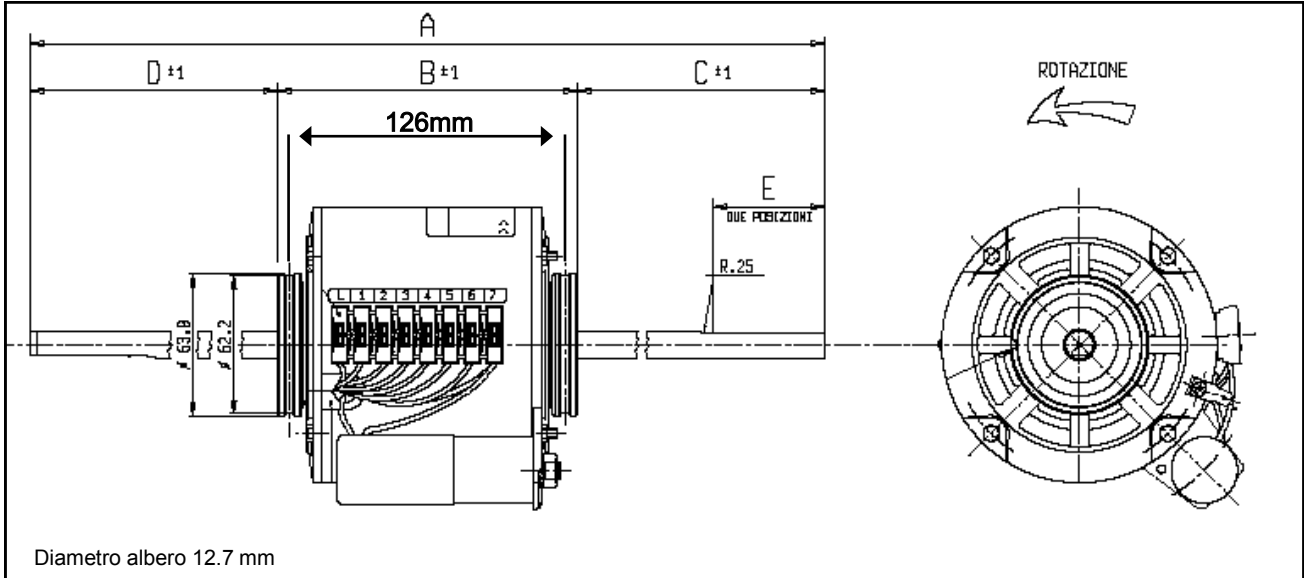


# SERIE K48 Standard

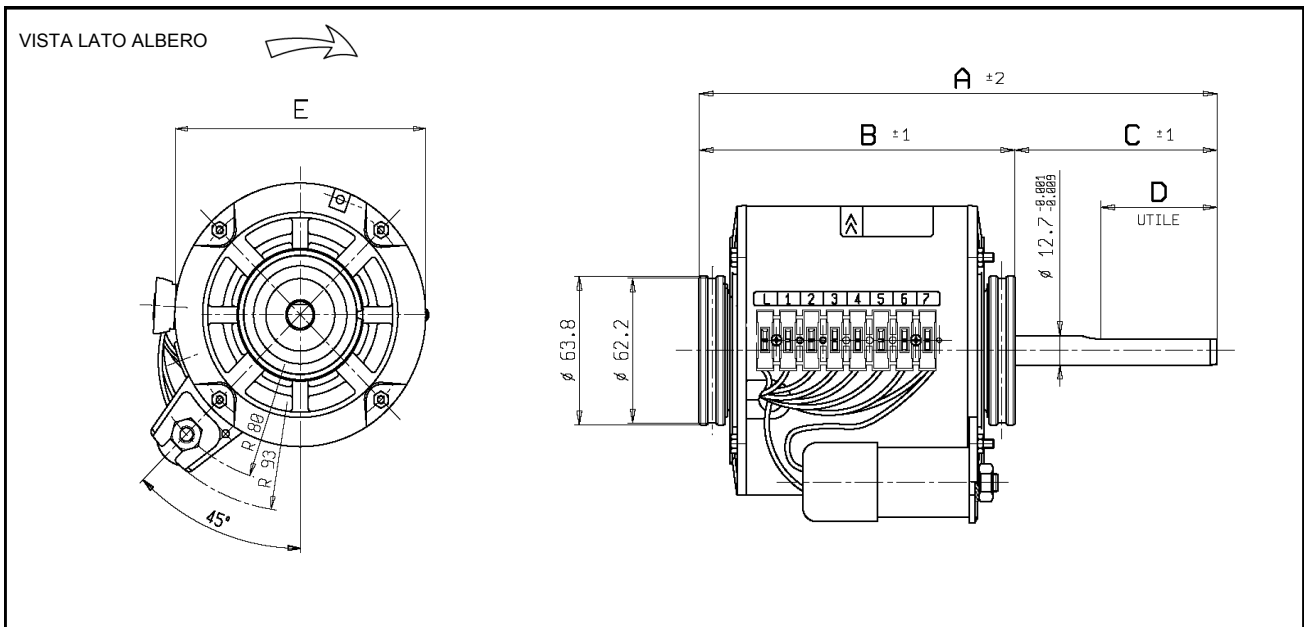
MOTORI PER FAN COIL 7 VELOCITA'

FAN COIL MOTORS 7 SPEED

www.grafmotoren.eu  
Wolfgang Graf  
Elektromotoren



Modello	Wr	V	A	Hz	RPM	N. Vel.	A	B	C	D	E
<b>K48410MO1053</b>	47	230	0.58	50/60	1200	7	500	135.9	182	182	80
<b>K48412MO1054</b>	74	230	0.72	50/60	1100	7	550	135.9	207	207	80
<b>K48415MO1055</b>	120	230	1.10	50/60	1100	7	550	135.9	207	207	80



Modello	Wr	V	A	Hz	RPM	N. Vel.	A	B	C	D	E
<b>K48407MO1050</b>	20	230	0.30	50/60	1100	7	296	135.9	160	80	124.6