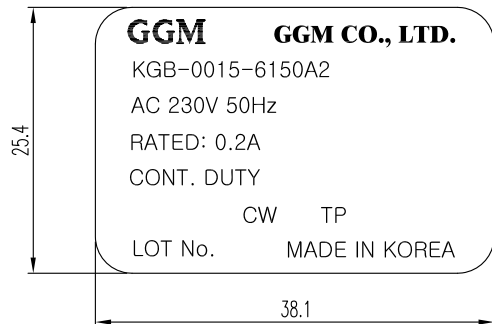
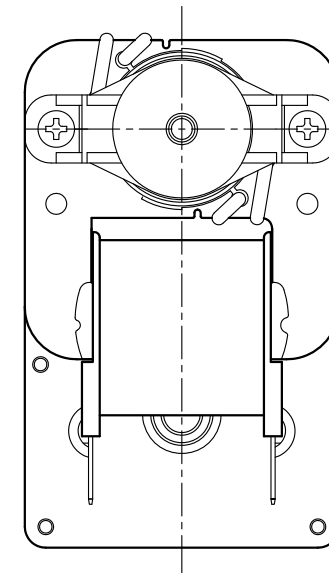
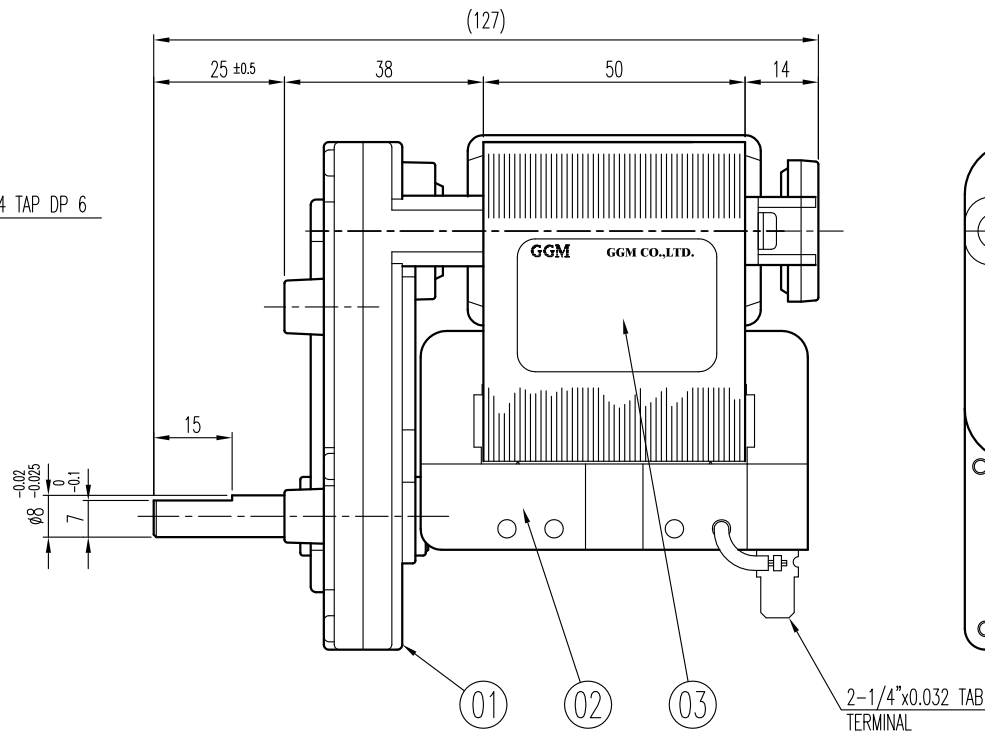
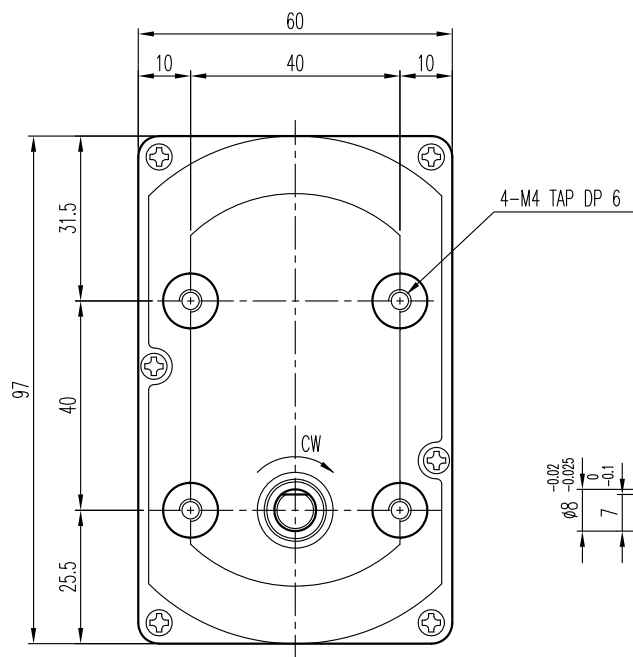


NAME PLATE



REV	DESCRIPTION	REV No.	DATE	SIGN
△				
△				
△				
△				

04	03	02	01	No.	N A M E	DRAWING No.	MATERIAL & SPEC.
				1	01 GEARBOX ASS'Y	KGB-0015-1005	KGB-0015-SSF-03
				1	02 SHADED POLE MOTOR	1-SA-00000	KAC-6150-TWA-SA
				1	03 NAME PLATE	1-23-00015	SLVER TETORON (25.4x38.1)



* POWERTRNIC *

MODEL	VOLTAGE	SPEED (NO LOAD)	TORQUE (kg.cm)		THERMAL PROTECTOR
			START	STALL	
KGB-0015-6150A2	AC 230V 50Hz	193 rpm (±10%)	2.2	3	T/P 105 ±5°C (CLASS A)

DRAW		SCALE : 1/1	PART NAME	SHADED POLE G/MOTOR
DESIGNED	2009-02-20 KANG YK	UNIT : mm	APPLICATION MODEL	KGB-0015-SSF-6150A2
CHECKED			DWG NO.	1-OL-00462
APPROVED			RELATION DWG	
		GUGJE GEARED MOTOR		