

DRAWING No,	<b>GEARED MOTOR SPECIFICATION</b>	MODEL
1-OL-00463		KGB-0021-6150A2

**1. Electrical Spec.**

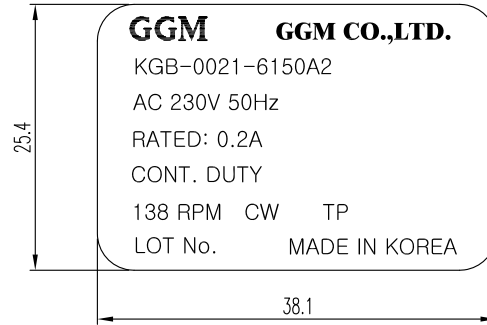
1-1	Type	AC SHADED POLE INDUCTION GEARED MOTOR	
1-2	Rated Voltage	230 / 50	VAC / Hz
1-3	No Load Current	0.16	A Max.
1-4	No Load Speed	138	rpm ±10%
1-5	Rated Torque	2.5	kgf.cm
1-6	Rated Current	0.2	A ±10%
1-7	Rated Speed	128	rpm ±10%
1-8	Rated Input	30	W
1-9	Start Voltage	110	VAC Min.
1-10	Stall Torque	4	kgf.cm Min.
1-11	Stall Current	0.4	A Max.
1-12	Temperature Rise	75	deg Max.
1-13	Insulation Class	A	
1-15	Insulation Resistance	1MΩ Min. (At DC 500 V Megger Tester)	
1-16	Insulation Strength	AC 500VRMS 1 Minute (Cutoff Current 5mA Max.)	

**2. Mechanical Spec.**

2-1	Run Out	0.1 mm Max. (3 mm From Shaft End)	
2-2	Shaft Thrust	0.5mm Max.	
2-3	Audible Noise	60dB Max. (At No Load, Motor Side 50cm, "A" Scale)	
2-4	Bearing	Oilless Metal Bearing	
2-5	Lubrication	Mineral Oil & Molybdenum Grease	
2-6	Dimension	Dwg No. 1-OL-00463	
2-7	Gear Ratio	1 : 20.61	
2-8	Ambient Temperature	-10 ~ 40°C, Humidity 85%RH Max.	
2-9	Weight	1.4 kg	
2-10	Maximum Permissible Torque of Gearbox	: 20 kgf.cm	

DESIGNED	2009-02-23	Kang YK	<b>GGM</b> GUGJE GEARED MOTOR	KGB-0021-6150A2
CHECKED				1-OL-00463
APPROVED				

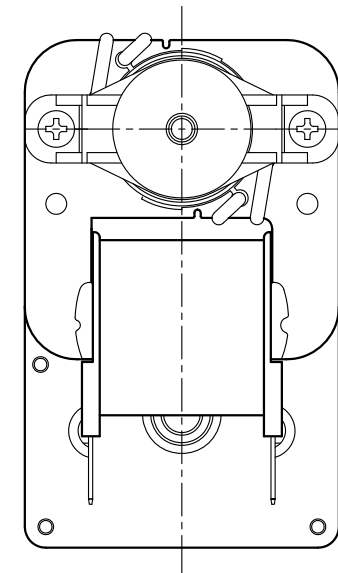
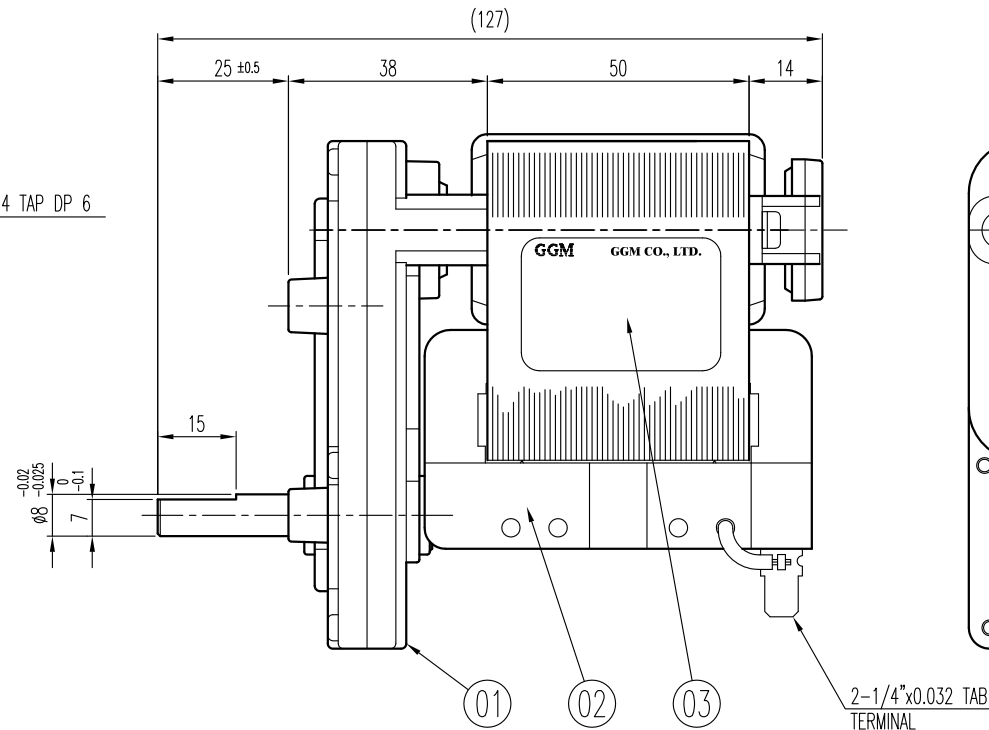
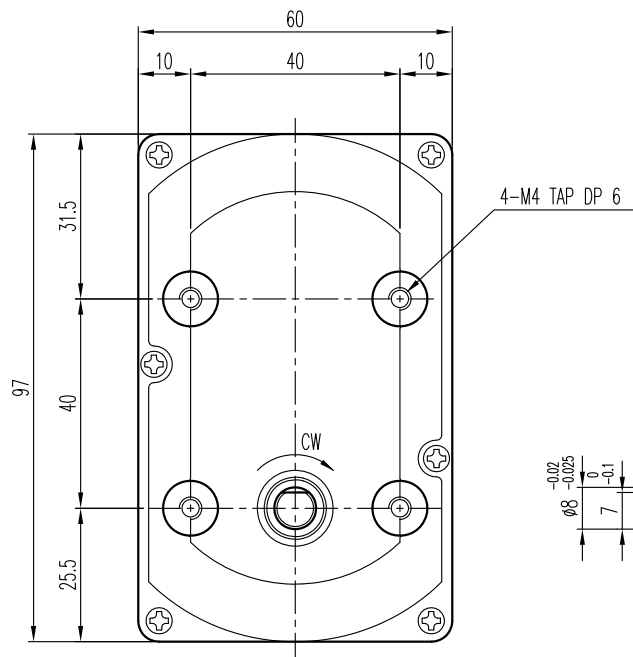
NAME PLATE



REV	DESCRIPTION	REV No.	DATE	SIGN
△				
△				
△				
△				

04	03	02	01	No.	N A M E	DRAWING No.	MATERIAL & SPEC.
			1	01	GEARBOX ASS'Y	KGB-0021-1003	KGB-0021-SSF-06
			1	02	SHADED POLE MOTOR	1-SA-00000	KAC-6150-TWA-SA
			1	03	NAME PLATE	1-23-00015	SLVER TETORON (25.4x38.1)



\* POWERTRNIC \*

MODEL	VOLTAGE	SPEED (NO LOAD)	TORQUE (kg.cm)		THERMAL PROTECTOR
			START	STALL	
KGB-0021-6150A2	AC 230V 50Hz	138 rpm (±10%)	3.2	4	T/P 105 ±5°C (CLASS A)

DRAW			SCALE : 1/1	PART NAME	SHADED POLE G/MOTOR
DESIGNED	2009-02-20	KANG YK	UNIT : mm	APPLICATION MODEL	KGB-0021-SSF-6150A2
CHECKED				DWG NO.	1-OL-00463
APPROVED				RELATION DWG	

**G G M**  
GUGJE GEARED MOTOR