

TECHNICAL DATA

Coil Type – 2.00” MEM503
Voltage – 230v 50Hz

Coil Resistance at 21°C. –
44.6 Ohms

Input Power at 230V 50Hz–
40 Watts

Nominal Current at 230v 50Hz –
0.31 Amps

Stall Current at 230v 50Hz –
0.49 Amps

Output torque of motor – 300g/cm

Thermal Protection –
140° Thermostat

Duty Cycle – Continuous

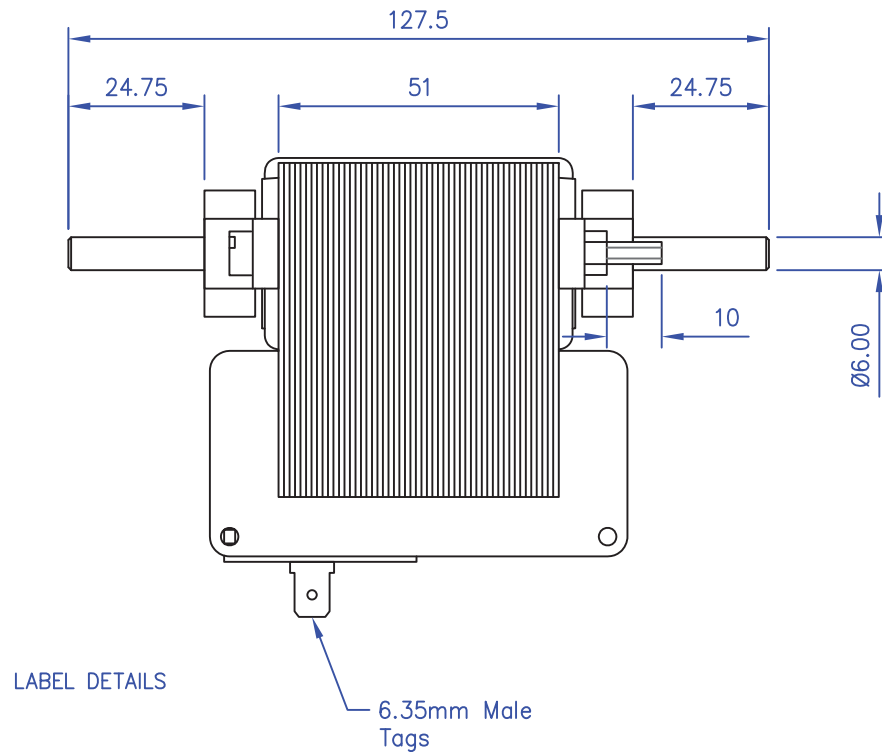
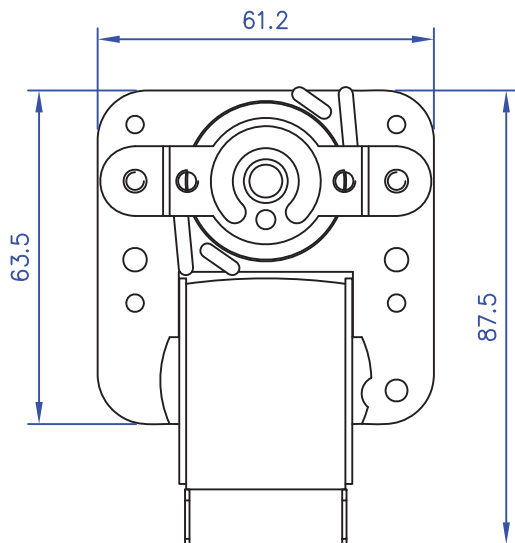
No Load Speed at 230v 50Hz –
2850rpm.

Output Shaft Rotation when viewed
from front – CCW.

Temp Heat Rise –
21°C – 112°C / 3hrs



VIEW FROM
FRONT



LABEL DETAILS

Dimensions in mm

MELLOR ELECTRICS Ltd
BLACKBURN ENGLAND

DESCRIPTION
MEM503 230v 50Hz – 2.00”

CUSTOMER
RS COMPONENTS

DRAWN LC 20/03/15

PART No
AC1116